

SUPERPRESSURE

AIR OPERATED DIAPHRAGM-TYPE COMPRESSORS

46-14021-2	TWO STAGE	10K & 30K PSI
46-14023	TWO STAGE	6K & 10K PSI
46-14025-2	SINGLE ENDED	10K PSI
46-14035-2	DOUBLE ENDED	10K PSI
46-14060-2	SINGLE ENDED	30K PSI
46-14065	SINGLE ENDED	6K PSI
46-14067	DOUBLE ENDED	6K PSI
46-14068	TWO STAGE	6K & 30K PSI

This Manual is for:

Compressor Part No. : _____
Sales Order No. : _____
Serial No. : _____
Date Manufactured : _____

NEWPORT SCIENTIFIC, INC
8246-E SANDY COURT
JESSUP, MD 20794
PHONE: 301-498-6700 FAX: 301-490-2313
WEBSITE: www.newport-scientific.com
E-MAIL: sales@newport-scientific.com or technical@newport-scientific.com

CONTENTS

- I. INSPECTION
- II. INTRODUCTION
- III. PRINCIPLES OF OPERATION
- IV. CHARACTERISTICS
 - a. Gas/Liquid Service Conversion
 - b. Ordering Data Check Valves
- V. INSTALLATION & OPERATION
 - a. Installation
 - b. Operation
 - c. Priming Procedure
 - d. Verify Check Valve Operation
- VI. TROUBLESHOOTING
- VII. MAINTENANCE
 - a. Stroke Adjustment Procedures
 - 1. Single Head Compressors
 - 2. Double Head Compressors
 - b. Diaphragm Replacement
 - c. Gas Check Valve Replacement
 - d. Pressure Limiting Device Adjustment
- VIII. RECOMMENDED SPARE PARTS & ½" PISTON ASSEMBLY # 85001000300
- IX. ASSEMBLY DRAWINGS & CAPACITY CURVES – SEE LIST
- X. SPECIFICATIONS

I. INSPECTION

If damage is discovered upon unpacking the equipment, an immediate request should be forwarded to the delivering carrier to perform an inspection and prepare a concealed-damage report. Concurrently, the nature and extent of damage should be reported to Newport Scientific, Inc., giving catalog and serial numbers, so that action may be initiated to replace damaged parts, or instructions issued for the return of the apparatus.

II. INTRODUCTION

The Superpressure Diaphragm-Type Gas Compressors handle fluids of all types with absolute purity. The fluid being compressed comes into contact only with clean, dry, corrosion-resistant metallic surfaces. The compressors are suited for all types of laboratory applications as well as for pilot plant and industrial applications requiring low gas flows. The compressors operate at a 14 to 1 maximum compression ratio and are designed to circulate or boost gas from a low pressure to pressures of 6,000, 10,000, or 30,000 psi. These compressors may be used for testing and calibration of critical devices such as missile system components, etc., where hydrostatic pressure testing and calibration would be difficult or impossible.

These compressors may be easily cleaned. Fluids other than ordinary oil, such as oxygen-compatible fluorinated products, may be used for diaphragm pulsing if required for specific applications. Compressors can be constructed of materials other than those normally supplied for particular corrosion-resistant applications on special order. The compressors when specifically cleaned and serviced, are also used for oxygen service.

These compressors are adaptable to either gas or intermittent liquid service. Changeover from one to the other is accomplished by interchanging a set of intake and exhaust check valves. Single or double ball check valves are available from Newport Scientific, Inc. which enable the compressors to be used for intermittent liquid service.

III. PRINCIPLES OF OPERATION

The plunger of the compression head is reciprocated as in a pump. Oil from the storage bulb is compressed by the plunger, which in turn pulses the diaphragm. The fluid to be compressed is taken in and discharged on the opposite side of the diaphragm through the check valves in the head plate on the down and up stroke of the diaphragm. Oil is drawn into the chamber beneath the diaphragm by the suction created on the plunger backstroke. Excess oil in the chamber can flow back to the storage bulb during the forward plunger stroke through the pressure limiting device. This built-in hydraulic device is manually adjustable and ensures that the discharge pressure of the compressor cannot exceed a preset limit. The plunger stroke is preset so that under normal operating conditions, oil will not flow through the pressure limiting device unless the maximum discharge pressure is exceeded.

IV. CHARACTERISTICS

- Contamination-free gas compression.
- Parts in contact with gas are made of the following materials:
- Upper head plates, 17-4PH SS; Valves, 302, 304, 316, 17-4PH SS and Nylon 101; Diaphragms, 302 SS.
- Compressor is suitable for suction at constant or continually varying suction pressures up to the maximum permissible discharge pressure.
- Compression ratios of up to 14-to-1 are obtainable for each stage.
- Diaphragm life in excess of 500 hours of operation normally attained.
- Absence of stuffing box permits leak-free operation.
- Elastomer packing provides a leak-free oil seal, long life and never needs tightening.
- Interchangeable check valves permit either continuous gas or intermittent liquid service.
- Check valves can be easily removed for cleaning and replacement.
- Floating hydraulic plunger ensures minimum wear on packing.

GAS/LIQUID SERVICE CONVERSION

These compressors can be adapted for intermittent liquid service. To convert from gas to intermittent liquid service or vice-versa, replace the set of intake and exhaust check valves on the compressors with the set specified in Table for the particular service application. On the 6,000 and 10,000 psi gas head, for intermittent service with normal liquids, double-ball check valves must be used. Difficult liquids are water, volatile hydrocarbons, low or high-viscosity liquids and liquids containing sediments. On 30,000 psi gas heads, for intermittent liquid service, double-ball check valves must be used for all liquids.

PRECAUTION

****Liquid service check valves CANNOT be used on Two-Stage Compressors.****

ORDERING DATA AND SPECIFICATIONS FOR CHECK VALVES

COMPRESSOR CATALOG NUMBER	QTY	STANDARD GAS CHECK VALVES INLET/DISCHARGE	LIQUID SERVICE SINGLE BALL INLET/DISCHARGE	LIQUID SERVICE DOUBLE BALL INLET/DISCHARGE
46-14025-2 46-14065	1 Ea	44-11102 44-11107	44-14100 44-14115	44-14210 44-14215
46-14035-2 46-14023 46-14067	2 Ea	44-11102 44-11107	44-14100 44-14115	44-14210 44-14215
46-14060-2	1 Ea	44-13100 44-13120		44-13140 44-13160
46-14021-2 46-14068	1 Ea	44-11102 44-11107 44-13100 44-13120		

*Also used where ultra-pure cleaning is required.

Each check valve listed in Table has a ¼ inch O.D. female tubing opening. Special-Inlet Adapter 45-16705 for liquid service can be used with the 44-13140, 44-14100, and 44-14210 Intake Check Valves when a ¼ inch NPT connection is desired. This adapter converts the ¼ inch O.D. female connection to ¼ inch NPT, female.

V. INSTALLATION & OPERATION

CAUTION

For oxygen service, use HALOCARBON or similar oils to prevent reaction with the oxygen. Thoroughly clean vital areas for oxygen service. The use of a HALOCARBON grease on bolt threads and other hardware is suggested. Recommendations for special applications may be obtained from the SUPERPRESSURE Engineering Dept.

INSTALLATION

1. Remove plug from oil reservoir, remove plugs from inlet and discharge gas check-valves and from air-supply connections.

NOTE

Unit may be bench operated without tie-down bolts. Mounting holes are provided where their use is necessary. Mounting data may be obtained from the detailed drawings.

2. An air-filter pressure-regulator-lubricator (Cat. No. 46-13753) is included as part of the compressor. A dry air source with pressure not to exceed 125 psi is connected to the air filter.
3. Air-exhaust ports exhaust through mufflers to the atmosphere. Where desirable, the exhaust may be vented away from the unit. We recommend a minimum vent-pipe of 3/4-inch to preclude malfunction of air-cycling valve because of backpressure.
4. Fill lubricator to correct level with lubricating oil (SAE 20)* Oil feed rate is factory-set at 2-drops /minute at maximum operating pressure. This oil provides the only lubrication necessary for the air operator.
5. Install a 5- to 10- micron, dry-type filter (Cat. No. 49-14405) in the gas-inlet line between the gas supply and the compressor.
6. Connect gas-suction line (use SUPERPRESSURE Tubing, Cat. No. 45-11020) to port on head marked "IN" on units 46-14021-2, 46-14025-2, 46-14060-2, 46-14023 46-14068 and 46-14065. Connect the gas-suction line to inlet manifold on unit 46-14035-2 and 46-14067.

OPERATION

NOTE

Before turning on the air pressure, turn out (unscrew) the pressure regulator adjustment screw. The unit can be started at the air-shutoff valve (not supplied) in the air-supply line, or by screwing in the adjustment on the pressure regulator. The latter operation is not normally intended for start-stop control, but is used to regulate the maximum pressure to the compressor.

*Newport Scientific, Inc. uses Oildyne Hydraulic Fluid 15-40.

PRECAUTION

If dirt enters the compressor, the diaphragm and check valves may be damaged. It is absolutely essential that the incoming gas is filtered. We suggest a 5 or 10 micron in-line Filter such as Cat. # 49-14405.

Also any lines to be placed between the Filter and the compressor should be thoroughly cleaned. Flush with solvent using a syringe, and blow dry with clean air or gas. (Even a new piece of high pressure tubing may contain sufficient particulate matter to foul the check valves).

To operate the motor-driven compressor, turn on electric power to the compressor. Observe the gas discharge pressure to ensure that the compressor is operating properly. If the compressor fails to build-up pressure, shut off power and perform the "Priming Procedure" in the next paragraph.

PRIMING PROCEDURE

To prime the compressor, perform the following:

1. Close off the gas discharge line.
2. Apply suction pressure to the compressor inlet. (The term suction pressure means the positive pressure applied to the compressor inlet, e.g. a minimum suction pressure of 700 psi is recommended for 10,000 psi discharge on 46-13411-2).
3. Add oil to the reservoir if required.
4. Loosen the stop nut on the top of pressure limiting device, being careful not to lose the setting. Reverse the set screw back until it no longer applies tension to the spring. The stop nut will turn with the set screw, thereby maintaining the original Factory setting.
5. Run the compressor. While it is running, loosen the large gland nut at the base of the pressure limiting device by 1-1/2 turns, and pull back on the body of the limiter to release the orifice piece. This removes all force from the seat and allows fresh oil to be pulled in from the reservoir.

The large gland nut should be loosened just for a couple of strokes of the compressor and then retightened. Some oil will be spilled out during the above operation.

6. Return the setscrew to its' original setting and retighten the stop nut.

PROCEDURE FOR VERIFYING PROPER CHECK VALVE OPERATION

1. Install pressure gauges on Compressor Inlet & Outlet, if not already present.
2. Apply suction pressure of 1,000 psi to Compressor Inlet.
3. Operate Compressor.
4. If either gauge fluctuates wildly then remove check valves and clean or replace.

VI. TROUBLESHOOTING

TROUBLE	PROBABLE CAUSE	CORRECTIVE ACTION
Air Drive Inoperative	<ol style="list-style-type: none"> 1.Low air pressure, or clogged air line filters 2.Improper lubrication 3.Loose or broken connection 4.Malfunction of pilot valves or air-transfer valve 5.Improper stroke adjustment 	<ol style="list-style-type: none"> 1.Check air pressure. Clean air line or filter, install proper size air line or filter, install proper size air line (3/8" pipe min). 2.Check lubricator adjustment. Set to 2 drops min., running free. 3.Tighten or replace. 4.Replace pilot valve, air-transfer valve or both. 5.Refer to Stroke Adjustment.
Pump stalls before pressure develops	<ol style="list-style-type: none"> 1.Insufficient air pressure 2.Air line restriction 3.Improper cylinder lubricator 4.Pressure limiting device locked in 	<ol style="list-style-type: none"> 1.Obtain proper air pressure. 2.Remove restriction. 3.Check lubricator and grade of oil used. Set to 2 drops min. Running free. 4.Back-off pressure limiting device screw.
Pump operative developing less than max.	<ol style="list-style-type: none"> 1.Inlet pressure to low 2.System leakage 3.Air pressure too low 4.Faulty inlet & discharge check valve 	<ol style="list-style-type: none"> 1.Keep compression ratio at 14:1. 2.Isolate pump and check for leaks. 3.Obtain proper air pressure. 4.Check gauges in inlet and discharge line with pump cylinder under normal conditions. If inlet gauge fluctuates radically, replace inlet check valve assembly. If discharge gauge fluctuates radically, replace discharge check valve assembly.

TROUBLE	PROBABLE CAUSE	CORRECTIVE ACTION
Pump operative developing less than max. pressure	5.Pump not primed. 6.Defective hydraulic check valve or pressure limiting device 7.Improper stroke adjustment	5.Refer to priming procedure. 6.Replace faulty valve or device. Observe oil reservoir for check valve action. 7.Refer to Stroke Adjustment.
Pump developing maximum pressure, output volume incorrect	1.External leaks on check valve and diaphragm (check by bubble testing) 2.Oil pressure limiter set too low. Oil level in oil reservoir will move up & down with each stroke. 3.Malfuction in inlet and discharge check valves. 4.Low input pressure 5.Ruptured diaphragm(s) 6.Improper stroke adjustment	1.Tighten or replace as necessary. 2.Increase by turning IN adjustment screw to 6,600 psi, 11,000 psi, or 32,000 psi, depending on type of compressor. <u>DO NOT</u> adjust this device unless necessary. 3.See above. 4.Check for proper compensation ratio. 5.Replace with new diaphragm(s). 6.Refer to Stroke Adjustment.

VII. MAINTENANCE

STROKE ADJUSTMENT PROCEDURES

Pivot-valve assembly is located on threaded supports and a plate. The plate has elongated holes to allow the pivot valves to slide either toward or away from the cam for fine-stroke adjustments. The stroke setting at the pivot-valve assembly is made at the factory and should not normally require changing; however, if it becomes necessary to change or reset, proceed as follows:

SINGLE-HEAD COMPRESSORS

1. Position the ball valve so that the space between the bottom face of the mounting plate and the upper face of the spacer is approximately 1-1/16". Lock in place. (See Compressor Assembly Drawing)
2. Loosen the two hex-head screws holding the ball valves to the mounting plate. Slide both ball valves inward toward the plunger. Tighten both screws to hold valves in place.
3. Start compressor with no gas pressure. Operate very slowly.
4. Block the exhaust port of the upper ball valve with a finger and let the plunger go to the very bottom of the bore. Keep finger in place.

5. With inside calipers measuring the distance between the face of the body (not the packing nut) and the face of the coupling.
6. Remove finger from the ball valve exhaust. The plunger will return. Let the compressor continue to run slowly.
7. Increase the calipers measurement $1/16$ "; i.e., if the measurement was $5/16$ ", increase to $3/8$ ".
8. Loosen screws slightly on ball valves. Insert calipers between body face and coupling.
9. Slide both ball valves out until the coupling touches the calipers while compressor is running. This must be done in very small increments.
10. Tighten the screws on the ball valves and again measure stroke.
11. Allow compressor to run for several minutes and observe the oil reservoir bowl. If it appears that the oil level is rising and falling with each stroke, or if the pressure limiting device is set for too low a pressure, refer to paragraph setting pressure limiting device.
12. To shorten the stroke, break the screws and very tightly tap the ball valves in. Tighten screws.
13. Repeat steps 11 and 12, above, until the oil level remains steady.

CAUTION

The pressure limiting device should never heat during operation.

DOUBLE-HEAD COMPRESSORS

1. Position the ball valve so that the space between the bottom face of the mounting plate and the upper face of the spacer is approximately $1-1/16$ ". Lock in place. (See Compressor Assembly Drawing).
2. Break the two hex-head screws holding the ball valves to the mounting plate. Slide both ball valves in toward the plunger. Tighten both screws to hold valves in place.

Perform steps 1 and 2 on both ends before starting compressor.
4. Start the compressor with no gas pressure.
5. Block the exhaust port of the upper ball valve with a finger and let the plunger go to the very bottom of the bore.
6. Using inside calipers, measure the distance between the face of the body (not the packing nut) and the face of the coupling.

7. Remove finger from the ball valve exhaust. The plunger will return. Let the compressor continue to run slowly.
8. Open the calipers 1/16"; i.e., if the measurement was 5/16", increase to 3/8".
9. Loosen screws slightly on ball valves. Insert calipers between body face and coupling.
10. Slide both ball valves out until the coupling touches the calipers while compressor is running. This must be done in very small increments.
11. Tighten the screws on the ball valves and measure the stroke again.
12. Repeat steps 2 through 8 for the other ball valve.
13. Repeat steps 11, 12, and 13 above.

REPLACING DIAPHRAGM

1. Shut down unit, closing off gas inlet and discharge lines.
2. Crack connections to gas check valves to allow trapped pressure to escape.
3. Remove all gas connections.
4. Secure hydraulic section in some form of clamping device.
5. Remove head bolts, remove head, and inspect. Inspect valves, clean and cover with clean cloth.
6. Remove diaphragm.

NOTE

The 6,000 and 10,000 psi units have one diaphragm per head; the 30,000 psi units have two diaphragms per head.

7. Remove preservative from new diaphragm(s) thoroughly clean and put new diaphragm(s) in place.
8. Install head connections by reversing removal procedures. (Use check valve as guide for proper relocation).

NOTE

Lubricate washer and bolt threads with bearing grease for normal operation; use HALOCARBON grease for oxygen services.

9. Hand tighten all head bolts. Then sequentially tighten opposing bolts with torque wrench in equal increments of 10 ft-lbs until final tightness. (Torque to approximately 150 ft-lbs for 6,000 and 10,000 psi Head and 350 ft-lbs for 30,000 psi Head)
10. Attach all gas connections.
11. Prime the compressor as described in Priming Instructions.

GAS CHECK VALVE REPLACEMENT

1. Shut down unit as previously described.
2. Remove gas connections as previously described.
3. Remove check valves and examine for wear or damage.
4. Replace seat assembly in check valves if required.
5. If check valves are of the single ball or double ball type, it is recommended that they be completely replaced if found defective.

ADJUSTMENT OF PRESSURE LIMITING DEVICE

NOTE

The Pressure Limiting Device was preset by Newport Scientific and should never need re-adjustment. This device was set to release oil back to the storage bulb when the discharge pressure reached 110% of the maximum pressure rating of the compressor. This setting was obtained by turning the set screw at the top of the pressure limiter until the desired release pressure was obtained.

The set screw was then held stationary while the outer stop nut was tightened down to the limiter body to lock in the setting. As long as the stop nut is not turned relative to the set screw, the set screw can be turned out and in for priming and still maintain the original factory setting.

If the stop nut has been turned relative to the set screw, the following procedure can be followed to reproduce the original setting.

1. Install pressure gauges in the inlet & outlet lines of the compressor if not already present.
2. Make sure the system is primed by performing the **Priming Procedure**.
3. Make sure check valves are operating properly according to the **Procedure for Verifying Proper Check Valve Operation**.
4. Stop compressor operation.

5. Loosen outer stop nut on top of pressure limiter and turn set crew back until all tension is removed from the spring.
6. Apply suction pressure of at least 1000 psi.
7. Adjust set screw slowly inward to obtain the following maximum discharge pressure -
 - for 6,000 psi compressors, set to 6,600 psi
 - for 10,000 psi compressors, set to 11,000 psi
 - for 30,000 psi compressors, set to 33,000 psi

NOTE

For a two stage compressor, set up to 5,000 psi on first stage.

NOTE

Outlet pressure gauge needle will fluctuate slightly with each piston stroke, use the highest reading on each stroke when setting the pressure.

8. Hold set screw stationary and tighten outer stop nut to lock in pressure setting.

NOTE

It is not recommended that the pressure limiter be set at a pressure lower than the original factory setting.

VIII. RECOMMENDED SPARE PARTS

DESCRIPTION	CAT. NO OR PART NO.	46- 14025-2	46- 14060-2	46- 14035-2	46- 14021-2	46- 14023	46- 14068	46- 14065	46- 14067
CHECK VALVE, HYDRAULIC	44-14110	1	1	2	2	2	2	1	2
CHECK VALVE, INTAKE	44-11102	1		2	1	2	1	1	2
CHECK VALVE, DISCHARGE	44-11107	1		2	1	2	1	1	2
CHECK VALVE, INTAKE	44-13100		1		1		1		
CHECK VALVE, DISCHARGE	44-13120		1		1		1		
DIAPHRAGM	62018000500	1	2	2	3	1	2		
DIAPHRAGM	84001001100					1	1	1	2
OILER	P1004002900	1	1	2	2	2	2	1	2
SOFTGOOD PACKING KIT	85001000900	1		2	1	1			
SOFTGOOD PACKING KIT	85001000500		1		1		1		
SOFTGOOD PACKING KIT	85001001100					1	1	1	2
PACKING RETAINER	64042002500	1		2	1	1	1		
PACKING RETAINER	65013002700		1		1				
PACKING RETAINER	84001000800					1	1	1	2
PACKING FOLLOWER	64042002200	1		2	1	1	1		
PACKING FOLLOWER	65013002800		1		1				
PACKING FOLLOWER	84001000700					1	1	1	2

PART NO. 85001000300 – ½” PISTON ASSEMBLY (CHEVRON PACKINGS TO POLYPACK)
Please Call Newport Scientific, Inc. for further information on this part.

IX. ASSEMBLY DRAWINGS

COMPRESSOR # 46-14021-2 AIR OPERATED TWO STAGE 10 & 30K PSI

46-14021-2	Compressor Assembly Sheet 1 & 2
62037002802	Head Assembly 10,000 PSI
63034001802	Head Assembly 30,000 PSI
44-11102	Intake Check Valve 10,000 PSI
44-11107	Discharge Check Valve 10,000 PSI
44-13100	Intake Check Valve 30,000 PSI
44-13120	Discharge Check Valve 30,000 PSI
44-14110	Inlet Check Valve Single Ball
62006001200	Assembly Relief Valve-Liquid Service
77053000900	Air Drive Double End
Curve 10 & 30K Air	Capacity Curve

COMPRESSOR # 46-14023 AIR OPERATED TWO STAGE 6 & 10K PSI

46-14023	Compressor Assembly Sheet 1 & 2
62037002902	Head Assembly 10,000 PSI
84001001500	Head Assembly 6,000 PSI
44-11102	Intake Check Valve 10,000 PSI
44-11107	Discharge Check Valve 10,000 PSI
44-14110	Inlet Check Valve Single Ball
62006001200	Assembly Relief Valve-Liquid Service
77053000900	Air Drive Double End
Curve 6 & 10K Air	Capacity Curve

COMPRESSOR # 46-14025-2 AIR OPERATED SINGLE ENDED 10K PSI

46-14025-2	Compressor Assembly Sheet 1 & 2
62028003002	Head & Body Assembly 10,000 PSI
44-11102	Intake Check Valve 10,000 PSI
44-11107	Discharge Check Valve 10,000 PSI
44-14110	Inlet Check Valve Single Ball
62006001200	Assembly Relief Valve-Liquid Service
77053001000	Air Drive Single End
Curve 10K SE DE Air	Capacity Curve

COMPRESSOR # 46-14035-2 AIR OPERATED DOUBLE ENDED 10K PSI

46-14035-2	Compressor Assembly Sheet 1 & 2
62037002802	Head Assembly Left Side 10,000 PSI
62037002902	Head Assembly Right Side 10,000 PSI
44-11102	Intake Check Valve 10,000 PSI
44-11107	Discharge Check Valve 10,000 PSI
44-14110	Inlet Check Valve Single Ball
62006001200	Assembly Relief Valve-Liquid Service
77053000900	Air Drive Double End
Curve 10K SE DE Air	Capacity Curve

COMPRESSOR # 46-14060-2 AIR OPERATED SINGLE ENDED 30K PSI

46-14060-2	Compressor Assembly Sheet 1 & 2
63035000902	Head Assembly 30,000 PSI
44-13100	Intake Check Valve 30,000 PSI
44-13120	Discharge Check Valve 30,000 PSI
44-14110	Inlet Check Valve Single Ball
62006001200	Assembly Relief Valve-Liquid Service
77053001000	Air Drive Single End
Curve 30K SE Air	Capacity Curve

COMPRESSOR # 46-14065 AIR OPERATED SINGLE END 6K PSI

46-14065	Compressor Assembly Sheet 1 & 2
85005000100	Head Assembly 6,000 PSI
44-11102	Intake Check Valve 10,000 PSI
44-11107	Discharge Check Valve 10,000 PSI
44-14110	Inlet Check Valve Single Ball
62006001200	Assembly Relief Valve-Liquid Service
77053001000	Air Drive Single End
Curve 6 & 30K Air	Capacity Curve

COMPRESSOR # 46-14067 AIR OPERATED DOUBLED END 6K PSI

46-14067	Compressor Assembly 1 & 2
84001001500	Head Assembly 6,000 PSI Right Side
85005000100	Head Assembly 6,000 PSI Left Side
44-11102	Intake Check Valve 10,000 PSI
44-11107	Discharge Check Valve 10,000 PSI
44-14110	Inlet Check Valve Single Ball
62006001200	Assembly Relief Valve-Liquid Service
77053000900	Air Drive Double End
Curve 6K Air	Capacity Curve

COMPRESSOR # 46-14068 AIR OPERATED TWO STAGE 6 & 30K PSI

46-14068	Compressor Assembly Sheet 1 & 2
84001000300	Head Assembly 6,000 PSI
63034001802	Head Assembly 30,000 PSI
44-11102	Intake Check Valve 10,000 PSI
44-11107	Discharge Check Valve 10,000 PSI
44-13100	Intake Check Valve 30,000 PSI
44-13120	Discharge Check Valve 30,000 PSI
44-14110	Inlet Check Valve Single Ball
62006001200	Assembly Relief Valve-Liquid Service
77053000900	Air Drive Double End
Curve 6 & 30K Air	Capacity Curve

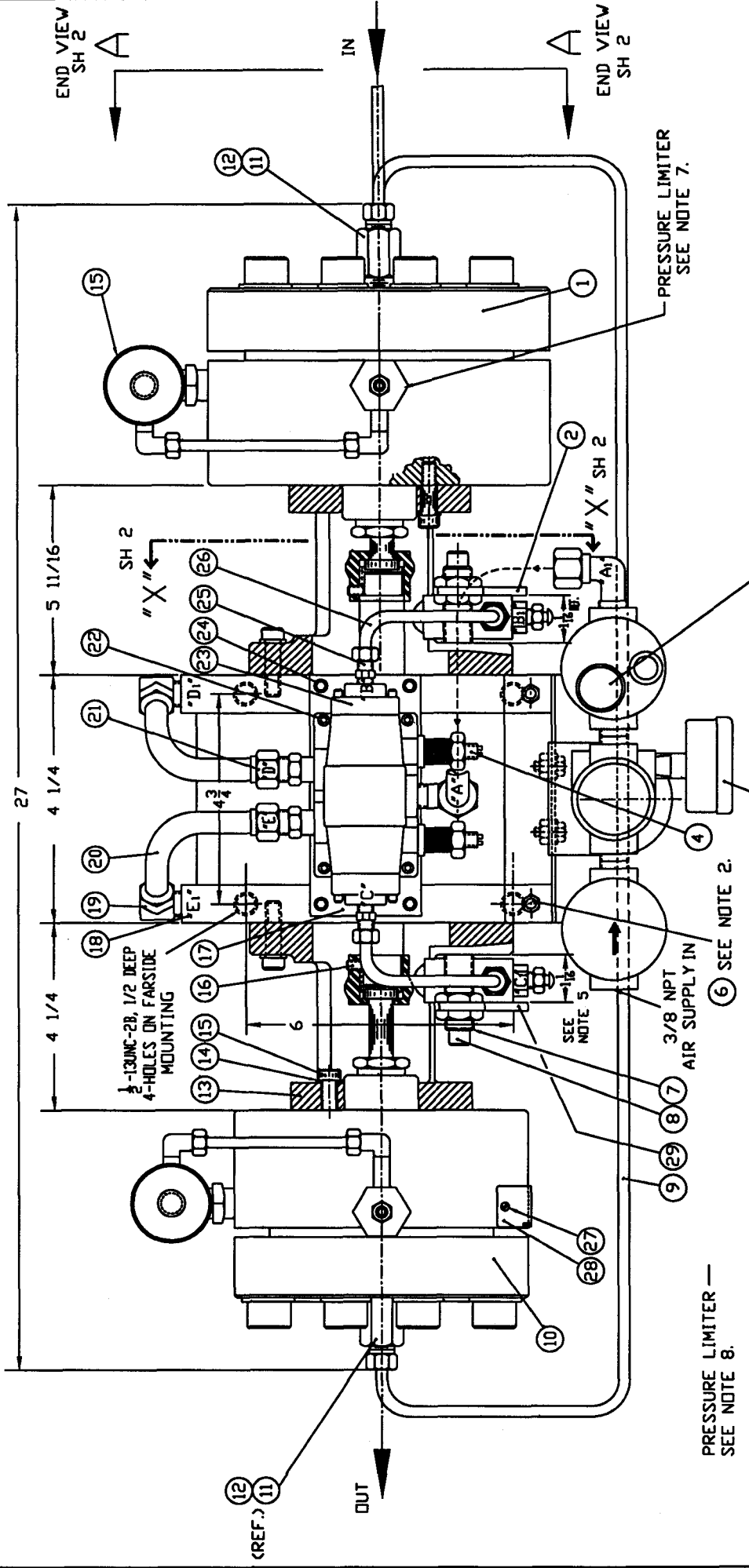
X. SPECIFICATIONS

AIR OPERATED DIAPHRAGM COMPRESSOR SPECIFICATIONS CHART

ITEM	46-14025-2 (SINGLE END 10K)	46-14035-2 (DOUBLE END 10K)	46-14060-2 (SINGLE END 30K)	46-14021-2 (TWO STAGE 10, 30K)	46-14023 (TWO STAGE 6,10K)	46-14068 (TWO STAGE 6,30K)	46-14065 (SINGLE END 6K)	46-14067 (DOUBLE END 6K)
Max. Discharge Pressure	10,000PSI	10,000PSI	30,000PSI	30,000PSI	10,000PSI	30,000PSI	6,000PSI	6,000PSI
Max. Inlet Pressure	Up to Discharge	Up to Discharge	Up to Discharge	Up to 10,000 psi	Up to 6,000PSI	Up to 6,000PSI	Up to Discharge	Up to Discharge
Recommended Compression Ratio	14 to 1							
Min. Gas Suction Pressure	700		2000	350		150		400
Number of Stages	1							
Max. Air-Drive Pressure	125 psi							
Min. Air-Drive Pressure (for max. rating)	80 psi							
Mounting Position	Vertical	Horizontal	Vertical	Horizontal	Horizontal	Vertical	Vertical	Horizontal
Air Consumption	20 SCFM	25 SCFM	40 SCFM	45 SCFM	45 SCFM	25 SCFM	25 SCFM	40 SCFM
DIMENSIONS								
Length	12"	30"	12"	32"	30"	32"	12"	30"
Width	14"	13"	14"	13"	13"	13"	14"	13"
Height	17"	16"	19"	16"	16"	16"		16"

ITEM	46-14025-2 (SINGLE END 10K)	46-14035-2 (DOUBLE END 10K)	46-14060-2 (SINGLE END 30K)	46-14021-2 (TWO STAGE 10, 30K)	46-14023 (TWO STAGE 6, 10K)	46-14068 (TWO STAGE 6,10K)	46-14065 (SINGLE END 6K)	46-14067 (DOUBLE END 6K)
PORTS								
Drive Air Inlet and Exhaust	3/8" NPT FEMALE							
Gas Inlet & Discharge	1/4" AMINCO							
Recommended Drive-Air Line Size	3/8" PIPE, MINIMUM							
Estimated Weight	70 lbs. net 100 lbs.ship	130 lbs. net 180 lbs.ship	70 lbs. net 100 lbs.ship	130 lbs. net 180 lbs.ship	130 lbs. net 180 lbs.ship	130 lbs. Net 180 lbs.ship	70lbs. Net 100lbs. ship	130 lbs.net 180 lbs.ship
Mounting	4 mounting holes 17/32" dia. on 8- inch center	4 mounting holes 1/2-13 UNC-2B thread, 1/2" deep on 4-5/8" centers by 6-inch center 4 mounting holes 17/32" dia. on 8-inch center	4 mounting holes 1/2-13 UNC-2B thread, 1/2" deep on 4-5/8" centers by 6-inch center	4 mounting holes 1/2-13 UNC-2B thread, 1/2" deep on 4-5/8" center by 6-inch center			4 mounting holes 17/32" dia. on 8" thread	4 mounting holes 1/2- 13 UNC-2B thread 1/2" deep on 4 5/8" center by 6" center
Volumetric Displacemet per Stroke	0.13 cu. in. 2.15 cc	0.26 in ³ 4.30 cc	0.0785 in ³ 1.25 cc	1 st stage 0.13 in ³ 2.15 cc 2 nd stage .0785 in ³ 1.25 cc	1 st stage .36 in ³ 5.90 cc 2 nd stage 0.13 in ³ 2.15 cc	1 st stage 0.36 in ³ 5.90 cc 2 nd stage 0.0785 in ³ 1.25 cc	0.36 in ³ 5.90 cc	0.72 in ³ 11.80 cc
Speed (max. at free flow)	130 Strokes/Min.							
Stroke Length (max. under pressure)	1							
Exhaust Air Vent (if required)	3/4" PIPE MINIMUM, 10FT. MAXIMUM							
Oil for Air Lubricator	**SAE 20**							
Oil for Hydraulic Head	NORMAL, SAE 20**, HALOCARBON OIL FOR OXYGEN SERVICE							

SYN	REVISIONS	DATE	APPROVED
	DESCRIPTION		



UNLESS OTHERWISE SPECIFIED DIMENSIONS ARE IN INCHES	TOLERANCES:	
	FRACTIONS ±	REF. DECIMALS ± ONLY
ANGLES ±	REMOVE ALL BURRS AND SHARP EDGES	
DO NOT SCALE THIS DRAWING	BY	DATE
	DESIGNED P. ZEB	8/15/57
	ENGR/RSK	
	APPROVED	
MATERIAL	SEE MAT'L LIST SHEET 2.	
CODE IDENT. NO.	SIZE	PART NO. 46-14023
59505	D	DRAWING NO. 4614023A
SCALE NONE	WEIGHT	SHEET 1 OF 2

PROPRIETARY
 This document is issued in strict confidence on the understanding that it is not to be reproduced, stored in a retrieval system, or in any form, without the written consent of Newport Scientific Inc.

NEWPORT SCIENTIFIC INC.

SEE MAT'L LIST SHEET 2.

SEE NOTE 2.

SEE NOTE 7.

SEE NOTE 8.

SEE NOTE 5.

SEE NOTE 6.

SEE NOTE 2.

SEE SHEET 2.

SEE SHEET 2.

UNLESS OTHERWISE SPECIFIED DIMENSIONS ARE IN INCHES

TOLERANCES:

FRACTIONS ± REF. DECIMALS ± ONLY

ANGLES ±

REMOVE ALL BURRS AND SHARP EDGES

DO NOT SCALE THIS DRAWING

BY: DATE:

DESIGNED P. ZEB 8/15/57

ENGR/RSK

APPROVED

MATERIAL: SEE MAT'L LIST SHEET 2.

CODE IDENT. NO. 59505

SIZE D

PART NO. 46-14023

DRAWING NO. 4614023A

SCALE NONE

WEIGHT

SHEET 1 OF 2

NOTE: 1. USE ONE (1) SET SCREW ONLY, NEAREST TO FLAT ON SHAFT.

2. HOLD END PLAY ON EACH END OF SHAFT TO A MINIMUM.

3. INSTALL FILTER, REGULATOR AND LUBRICATOR, USE BOLT ITEM 6.

4. LOW PRESSURE PNEUMATIC HOOD-UP:

"A" - MAIN AIR SUPPLY (INLET) CONNECT TO "A1".

"B" - LOW PRESSURE TRANSFER, CONNECT TO PILOT VALVE "B".

"C" - LOW PRESSURE TRANSFER, CONNECT TO PILOT VALVE "C".

"D" - AIR SUPPLY TO LEFT SIDE OF PISTON, CONNECT TO PORT "D".

"E" - AIR SUPPLY TO RIGHT SIDE OF PISTON, CONNECT TO PORT "E".

"F" - EXHAUST FROM PORT "D" THROUGH MUFFLER AND ATMOSPHERE.

"G" - EXHAUST FROM PORT "E" THROUGH MUFFLER AND ATMOSPHERE.

5. ADJUST LUBRICATOR FOR 2 DROPS OF OIL PER MINUTE.

6. REFER TO STROKE ADJUSTMENT PROCEDURES OF INSTRUCTION MANUAL.

7. FOR SECTION X-X, SEE SHEET 2.

8. SET PRESSURE LIMITER AT 6,600 PSI.

9. SET PRESSURE LIMITER AT 11,000 PSI.

NOTE: 1. USE ONE (1) SET SCREW ONLY, NEAREST TO FLAT ON SHAFT.

2. HOLD END PLAY ON EACH END OF SHAFT TO A MINIMUM.

3. INSTALL FILTER, REGULATOR AND LUBRICATOR, USE BOLT ITEM 6.

4. LOW PRESSURE PNEUMATIC HOOD-UP:

"A" - MAIN AIR SUPPLY (INLET) CONNECT TO "A1".

"B" - LOW PRESSURE TRANSFER, CONNECT TO PILOT VALVE "B".

"C" - LOW PRESSURE TRANSFER, CONNECT TO PILOT VALVE "C".

"D" - AIR SUPPLY TO LEFT SIDE OF PISTON, CONNECT TO PORT "D".

"E" - AIR SUPPLY TO RIGHT SIDE OF PISTON, CONNECT TO PORT "E".

"F" - EXHAUST FROM PORT "D" THROUGH MUFFLER AND ATMOSPHERE.

"G" - EXHAUST FROM PORT "E" THROUGH MUFFLER AND ATMOSPHERE.

5. ADJUST LUBRICATOR FOR 2 DROPS OF OIL PER MINUTE.

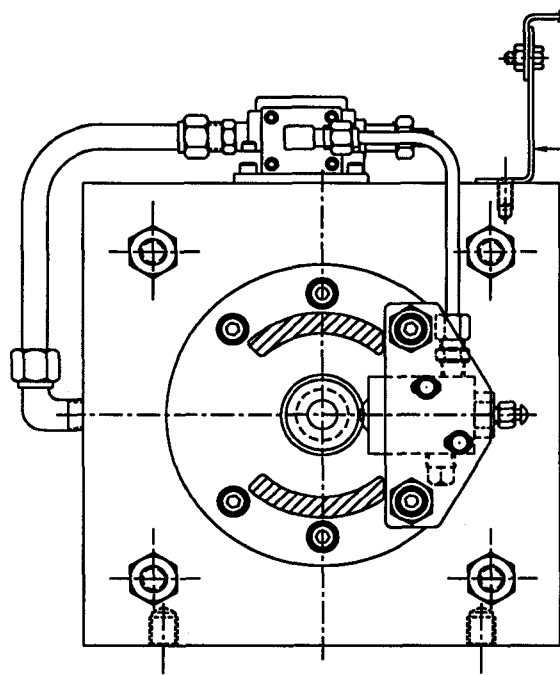
6. REFER TO STROKE ADJUSTMENT PROCEDURES OF INSTRUCTION MANUAL.

7. FOR SECTION X-X, SEE SHEET 2.

8. SET PRESSURE LIMITER AT 6,600 PSI.

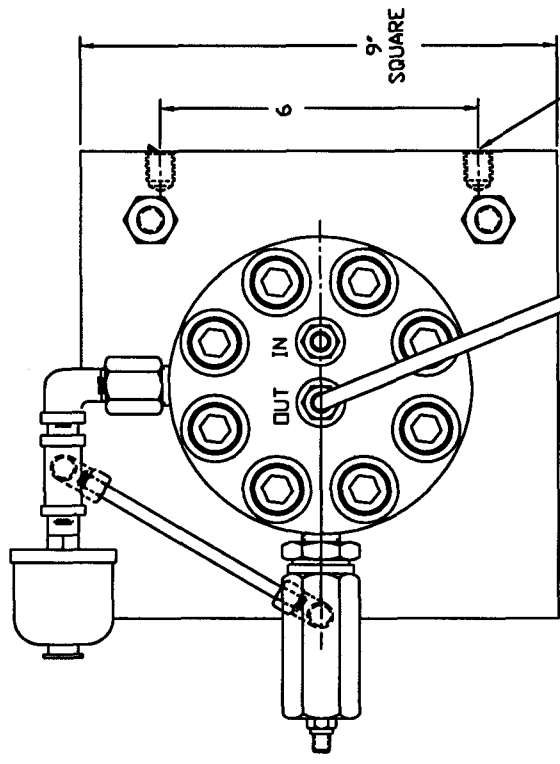
9. SET PRESSURE LIMITER AT 11,000 PSI.

SYN	DESCRIPTION	DATE	APPROVED



REGULATOR NOT SHOWN.
FILTER LUBRICATOR &
BRACKET.

SECTION X-X
FROM SHEET 1 OF 2



END VIEW A-A
FROM SHEET 1 OF 2

ITEM	QTY.	DESCRIPTION	PART NO.	MATERIAL
29	1	PILOT VALVE - ASSEMBLY	62037005600	PER DETAILS
28	1	NAME PLATE	A52-63070	ALUM.
27	2	SCREW #2 TAPPING PAN TYPE "B" x 1/4 LONG	Q224003111	STEEL
26	-	TUBE, 1/4 O.D.	P1245000100	COPPER
25	2	CONNECTOR, 1/8 NPT x 1/4 O.D. TUBE	3300707	BRASS
24	4	SCREW, 10-32UNC-2A, PAN HEAD x 5/8 LONG	Q2250012620	STEEL
23	1	VALVE, 4-WAY MASTER	7020022300	PER DETAILS
22	4	SCREW, 8-32UNC-2A, SOCKT. HD. CAP x 5/8 LONG	Q4650022220	STEEL, BL. DX.
21	2	CONNECTOR, 3/8 NPT. x 1/2 TUBE	P0215104100	BRASS
20	-	TUBE, 1/2 O.D.	P1245000300	COPPER
19	3	ELBOW, 3/8 NPT x 1/2 O.D. TUBE, COMPRESSION	P0215012500	BRASS
18	1	DRIVE UNIT	77053000900	PER DETAILS
17	1	VALVE MOUNTING BRACKET	77053002000	ALUMINUM
16	2	SET SCREW, 1/4-28UNF-2A, x 1/4 LONG	Q2830023211	STEEL, BL. DX.
15	16	SCREW, 5/16-18UNC-2A, SOCKT. HD. CAP x 1-1/4 LONG	Q4650023530	STEEL, BL. DX.
14	16	FLAT WASHER 5/16	63167001200	STEEL
13	2	SPACER	62050002100	AL. ALLOY
12	2	CHECK VALVE, INTAKE	44-11102	PER DETAILS
11	2	CHECK VALVE, EXHAUST	44-11107	PER DETAILS
10	1	HEAD ASSEMBLY, 10,000 PSI	62037002802	PER DETAILS
9	1	JUMPER TUBE	63034002600	TYPE 304 ST. ST.
8	4	SCREW 5/16-18UNC-2A, SOCKT. HD. CAP x 2-3/4 LONG	Q4650023548	STEEL, BL. DX.
7	4	SPLIT LOCK WASHER 5/16	R1061-053	STEEL
ITEM	QTY.	DESCRIPTION	PART NO.	MATERIAL

LIST OF MATERIALS

ITEM	QTY.	DESCRIPTION	PART NO.	MATERIAL
6	2	SCREW, 1/4-20UNC-2A, HEX. HEAD x 1/2 LONG	Q1850013118	STEEL
5	-	NOT USED	-	-
4	2	MUFFLER, 3/8 NPT.	62028004000	ALU. & BRONZE
3	1	FILTER, REGULATOR, & LUBRICATOR	46-13753	PER DETAILS
2	1	PILOT VALVE - ASSEMBLY	63035001400	PER DETAILS
1	1	HEAD ASSEMBLY, 6,000 PSI	84001001500	PER DETAILS
ITEM	QTY.	DESCRIPTION	PART NO.	MATERIAL

LIST OF MATERIALS

UNLESS OTHERWISE SPECIFIED
DIMENSIONS ARE IN INCHES
TOLERANCES:
FRACTIONS ±
DECIMALS ±
ANGLES ±0 -30'
REMOVE ALL BURRS AND SHARP EDGES
DO NOT SCALE THIS DRAWING

BY	NAME	DATE	FINISH:
DESIGNED			
CHECKED	P. ZEB	8/15/07	
ENGR/POSH			
APPROVED			

PROPRIETARY
This document is issued in strict confidence and is not to be copied, reproduced, or disclosed to a third party, wholly or in part, without the written consent of Newport Scientific, Inc.

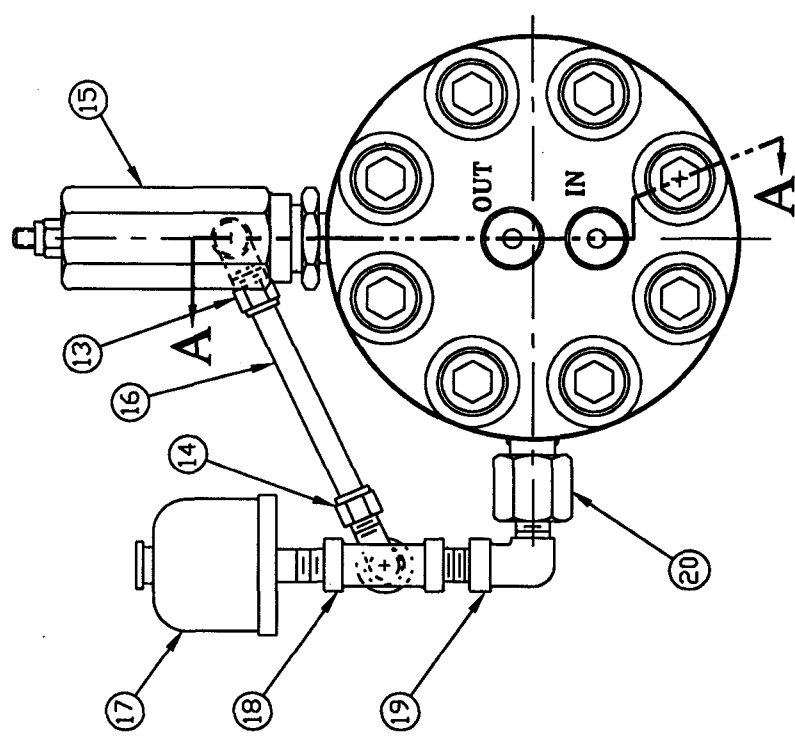


TITLE
PNEUMATIC OPERATED
DIAPHRAGM COMPRESSOR ASS'Y.
2 STAGE, 6 & 10K PSI

CODE IDENT. NO.	SIZE	PART NO.	46-14023
59505		DRAWING NO.	4614023B
SCALE	WEIGHT	SHEET	2 OF 2

AS NOTED

REVISION	DATE	APPROVED
LTR	DESCRIPTION	



SECTION A - A

NOTES:
1. MARK OR TAG WITH ASSEMBLY NO.

ITEM QTY.	DESCRIPTION	PRPT/DWG. NO.	MATERIAL
21	1 COUPLING	62028001800	STEEL
20	1 CHECK VALVE, HYDRAULIC	44 14110	PER ASSEMBL
19	1 ELBOW, 90° STREET TYPE	P0201004100	BRSS
18	1 TEE, 1/4 NPT.	P0201060100	BRSS
17	1 OILER	P1004002900	AS PER DETAILS
16	0.5 TUBING, 1/4 IN. O.D. X 4.5	P1245000100	COPPER
15	1 PRESSURE LIMITER	62006001201	PER ASSEMBLY
14	1 ELBOW, 90° COMPRESSION TYPE	P0215025100	BRSS
13	1 ELBOW, 90° COMPRESSION TYPE	P0215025400	BRSS
12	1 PISTON, 9/16 IN. DIAMETER	64042002300	440C ST. STEEL
11	1 GLAND NUT	64042002400	416 ST. STEEL
10	1 PACKING FOLLOWER	64042002200	FLLM. BRONZE
9	1 PACKING	P1615009000	MOLYTHANE
8	1 PACKING RETAINER	64042002500	FLLM. BRONZE
7	1 BACK-UP RING	P1620009600	BUNP-N
6	1 O-RING	P1604011000	BUNP-N
5	1 BODY	64042003102	CHRM-VFN. STEEL
4	1 DIAPHRM	62018000500	302 ST. STEEL
3	1 HEAD PLATE	62018001000	17-4PH ST. STEEL
2	8 WASHER, FLAIN 21/32 I.D. X 1/8 THICK	P1634041400	STEEL
1	8 SCREW, 5/8-18UNF-2R X 3, SOC. HD. CFP	P2030074800	STEEL
LIST OF MATERIAL			

PROPRIETARY
This document is issued in strict confidence on condition that it is not copied, reprinted, or disclosed to a third party, wholly or in part, without written consent of Newport Scientific Inc.

UNLESS OTHERWISE SPECIFIED DIMENSIONS ARE IN INCHES TOLERANCES:
FRACTIONS ±
DECIMALS ±
ANGLES ±
REMOVE ALL BURRS AND SHARP EDGES
DO NOT SCALE THIS DRAWING

BY: _____ NAME: _____ DATE: _____
PREPARED: _____ FINISH: _____
CHECKED: _____
ENGR/DRSCH: _____
APPROVED: _____

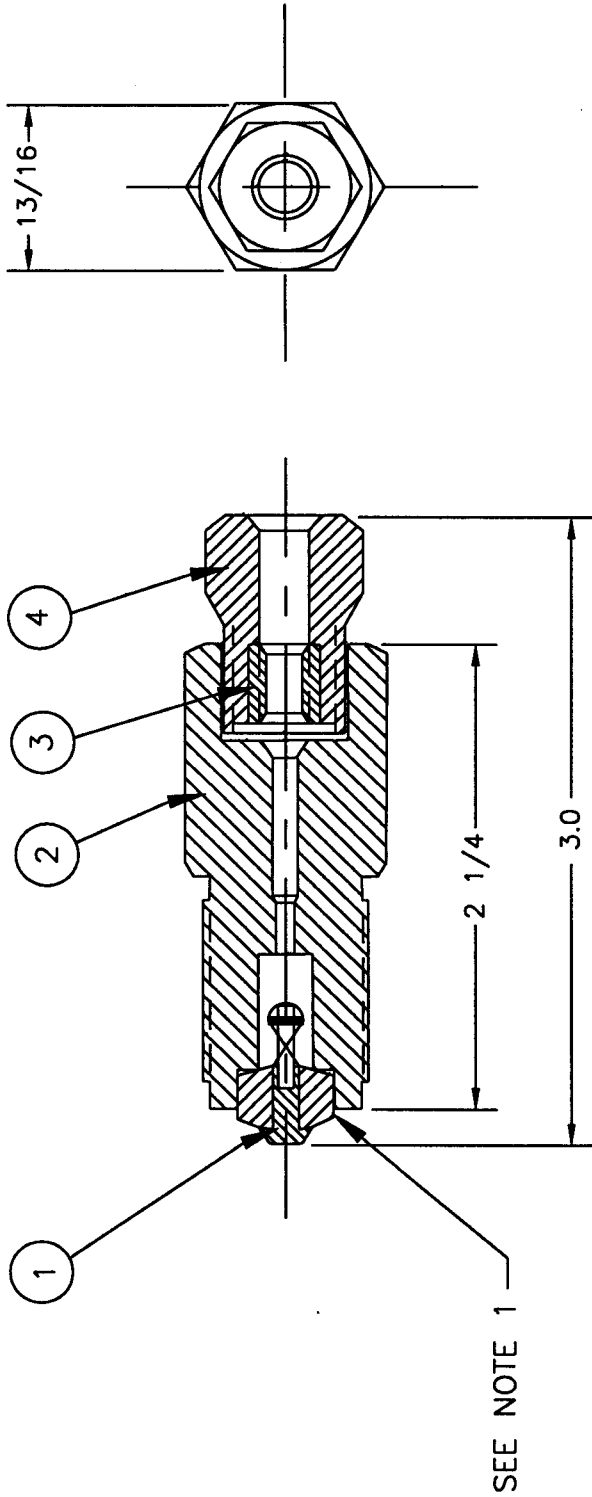
SCALE: _____ WEIGHT: _____ SHEET 1 OF 1

HEAD ASSY, LEFT SIDE, 10,000 PSI AIR OPERATED DIAPHRAGM COMPRESSOR, 9/16 DIA PISTON

CODE DEPT. NO. 99505 SIZE D PART NO. 62037002902 DRAWING NO. 29620372

MATERIAL: SEE L/M THIS SHEET

APPLICATION: _____



SEE NOTE 1

NOTES:

1. STAKE LENS RING OF POPPET; SUB-ASSEMBLY ITEM 1 IN PLACE WITH CENTER PUNCH IF NECESSARY.
2. TIGHTEN GLAND NUT ITEM 4 HAND TIGHT FOR SHIPPING.
3. TIGHTEN GLAND NUT ITEM 4 TO A TORQUE OF 15 FT./LBS. APPROX. WITH TUBING INSTALLED.
4. PRESS. RATING = 10,000 P.S.I.

5. ELECTRO ETCH/MARK

- A. SUPERPRESSURE DIAMOND
- B. CAT NO.
- C. PRESSURE RATING (IF APPLICABLE)
- D. LOT NO. (IF APPLICABLE)
- E. D.O.M.
- F. FLOW ARROW (IF APPLICABLE)

ITEM	QTY.	DESCRIPTION	PART NO	MATERIAL
1	1	POPET; SUB-ASSEMBLY	66005000100	AS PER DETAIL
2	1	VALVE BODY	62004001000	TYPE 316 ST. STL.
3	1	INNER SLEEVE	45-11316	TYPE 416 ST. STL.
4	1	GLAND NUT	45-11313	TYPE 416 ST. STL.
		LIST OF MATERIAL		

USED ON
NEXT ASSY
APPLICATION

UNLESS OTHERWISE SPECIFIED DIMENSIONS ARE IN INCHES
TOLERANCES:
FRACTIONS ±
DECIMALS ±
ANGLES ±

REMOVE ALL BURRS AND SHARP EDGES
DO NOT SCALE THIS DRAWING

BY	NAME	DATE	FINISH:
PREPARED			
CHECKED			
DESIGNED			
APPROVED			

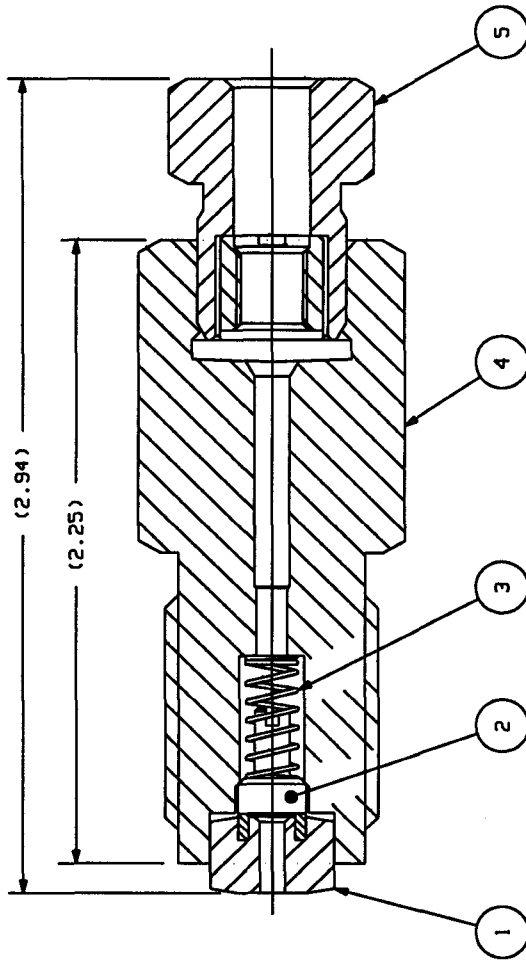
TITLE
CHECK VALVE 10,000 PSI INTAKE
SOFT SEAT
CODE DONT. NO.
59505
PART NO. 44-11102
DRAWING NO. 4411102
SCALE
WEIGHT
SHEET
OF

PROPRIETARY
This document is issued in strict confidence and is not to be reproduced or disclosed to a third party, wholly or in part, without written consent of Newport Scientific Inc.

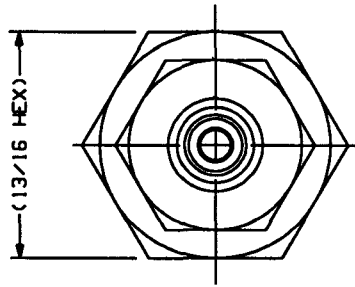


NEWPORT SCIENTIFIC INC.
GAS SERVICE
CHECK VALVE 10,000 PSI INTAKE
SOFT SEAT
PART NO. 44-11102
DRAWING NO. 4411102
WEIGHT
SHEET
OF

REVISIONS			
SYM	ZONE	DESCRIPTION	DATE



SEE NOTE 4



NOTES:

1. PRESSURE RATING = 10,000 PSI.
2. TIGHTEN GLAND NUT, (ITEM 5) HAND TIGHT FOR SHIPPING.
3. TIGHTEN GLAND NUT, (ITEM 5) TO A TORQUE OF 15 FT/LBS (APPROX) WITH TUBING INSTALLED.
4. STAKE LENS RING ASSY, (ITEM 1) IN PLACE WITH A CENTER PUNCH IF NECESSARY.
5. ELECTRO ETCH/MARK

- A. SUPERPRESSURE DIAMOND
- B. CAT NO.
- C. PRESSURE RATING (IF APPLICABLE)
- D. LOT NO. (IF APPLICABLE)
- E. D.O.M.
- F. FLOW ARROW (IF APPLICABLE)

ITEM	QTY	DESCRIPTION	DWG/PART NO.	MATERIAL
5	1	ASSEMBLY, GLAND NUT AND SLEEVE	45-11310	PER DETAILS
4	1	BODY	62004001000	TYPE 316 SS
3	1	SPRING	50029003201	TYPE 302 SS
2	1	POPETT	6004001000	TYPE 316 SS
1	1	ASSEMBLY, VALVE SEAT	6005000300	PER DETAILS

LIST OF MATERIAL

PROPRIETARY
 This document is issued in strict confidence on condition that it is not copied, reprinted, or disclosed to a third party, wholly or in part, without written consent of Newport Scientific Inc.

UNLESS OTHERWISE SPECIFIED DIMENSIONS ARE IN INCHES
 TOLERANCES:
 FRACTIONS ±
 DECIMALS ±
 ANGLES ±
 REMOVE ALL BURRS AND SHARP EDGES
 DO NOT SCALE THIS DRAWING MATERIAL
 SEE CHART

CONTRACT	BY	NAME	DATE
	PREPARED		
	CHECKED		
	ENGR/DISGN		
	APPROVED		
	CERTIFICATION		

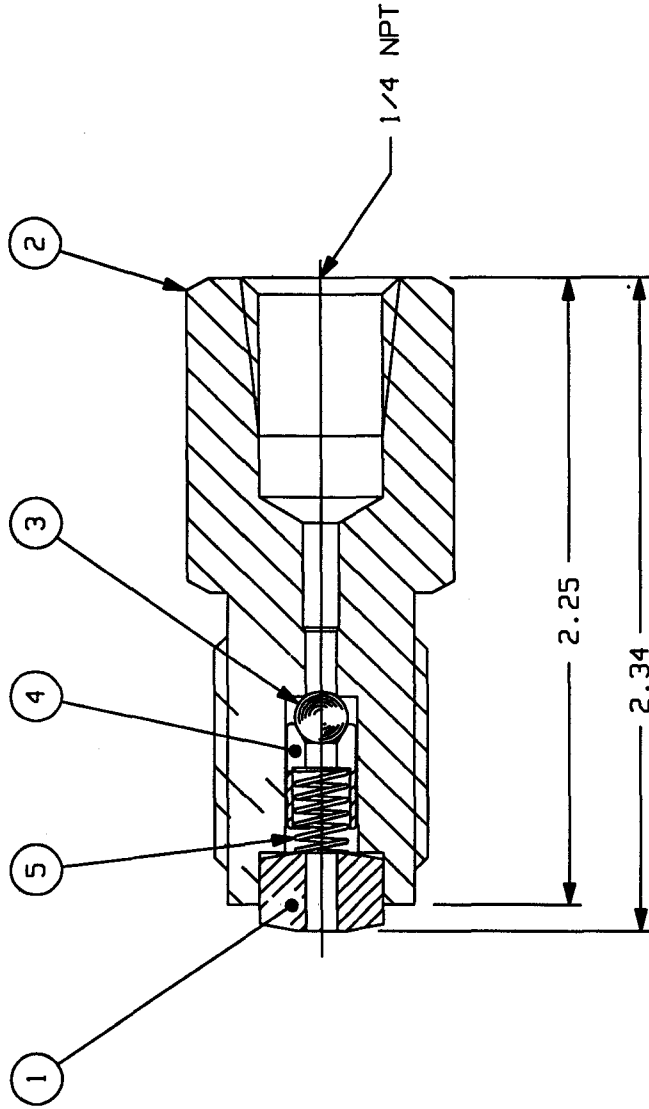
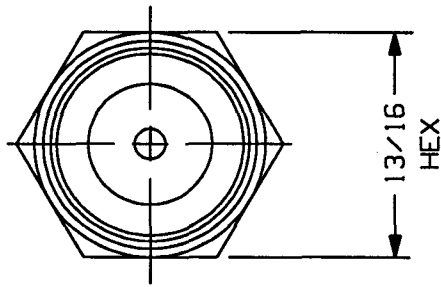
TITLE	GAS SERVICE CHECK VALVE 10,000 PSI DISCHARGE SOFT SEAT
CODE IDENT. NO.	59505
SIZE	PART NO. 44-11107
SCALE	DRAWING NO. 4411107
WEIGHT	SHEET 1 OF 1



NEWPORT SCIENTIFIC INC.

ELECTRO ETCH/MARK

- A. SUPERPRESSURE DIAMOND
- B. CAT NO.
- C. PRESSURE RATING (IF APPLICABLE)
- D. LOT NO. (IF APPLICABLE)
- E. D.O.M.
- F. FLOW ARROW (IF APPLICABLE)



ITEM	QTY	DESCRIPTION	DWG/PART NO.	MATERIAL
5	1	SPRING	50029003204	TYPE 18-8 STAINLESS STEEL
4	1	BALL RETAINER	62002000400	TYPE 316 STAINLESS STEEL
3	1	BALL	PI500013300	TYPE 440 STAINLESS STEEL
2	1	BODY	62079000400	TYPE 316 STAINLESS STEEL
1	1	LENS RING	63038000400	TYPE 17-4PH STAINLESS STEEL
LIST OF MATERIAL				

NOTES:

- 1. STRIKE ITEM 1 (LENS RING) IN PLACE WITH A CENTER PUNCH IF NECESSARY.
- 2. DIMENSIONS SHOWN ARE FOR REFERENCE ONLY

PROPRIETARY

This document is issued in strict confidence on condition that it is not copied, reprinted, or disclosed to a third party, wholly or in part, without written consent of Newport Scientific Inc.

CONTRACT BY NAME DATE PREPARED CHECKED ENGR/DSON APPROVED CERTIFICATION

UNLESS OTHERWISE SPECIFIED DIMENSIONS ARE IN INCHES TOLERANCES: FRACTIONS ± SEE DECIMALS ± NOTES ANGLES ± REMOVE ALL BURRS AND SHARP EDGES DO NOT SCALE THIS DRAWING MATERIAL:

SEE MATERIAL LIST

NEXT ASSY. USED ON APPLICATION



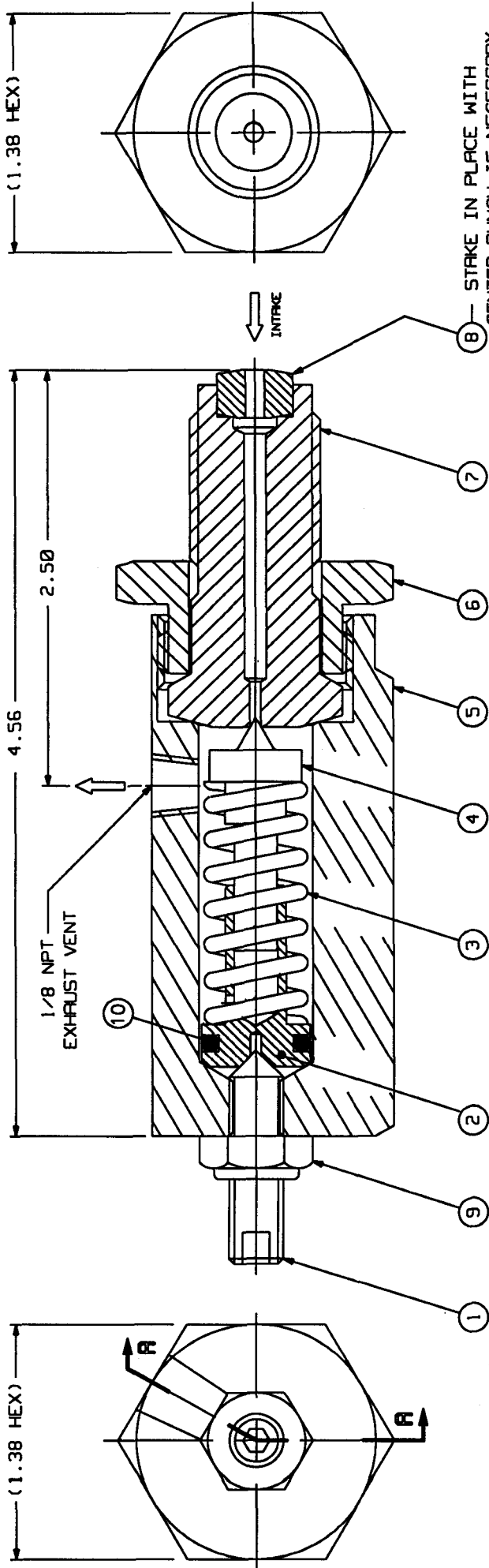
LIQUID SERVICE
CHECK VALVE 40,000 PSI INTAKE

CODE IDENT. NO. 59505
PART NO. 44-14110
DRAWING NO. 4414110

SHEET 1 OF 1

REVISIONS

SYM	DESCRIPTION	DATE	APPROVED
A	ADDED ITEM #10	10-2-01	



8 - STRIKE IN PLACE WITH CENTER PUNCH IF NECESSARY

STAMP PART NO. AND D.O.M.

SECTION A-A

REPLACES DRAWING NO. B1-62006

DRSH NO.	ORIFICE DIA	PRESSURE RANGE (PSI)
-4	.125	3,000 - 7,500
-3	.046	20,000 - 50,000
-2	.062	14,000 - 35,000
-1	.093	5,000 - 14,000

ITEM	QTY	DESCRIPTION	DWG/PART NO.	MATERIAL
10	1	"O" RING	P1604025100	BUNA "N"
9	1	STOP NUT, THIN ELASTIC, 5/16-24UNF-2B	P1054005500	STEEL
8	1	GASKET, LENS RING	63038000400	17-4 PH STEEL
7	1	VALVE SEAT (SEE CHART)	62006001000	17-4 PH STEEL
6	1	NUT	62006001100	CRS
5	1	BODY	62006000900	CRS
4	1	STEM	64079000200	440C STAINLESS STEEL
3	1	SPRING	P1632014900	ALLOY STEEL
2	1	GUIDE, SPRING	64079000300	416 STAINLESS STEEL
1	1	SET SCREW, SOCKET HD, 5/16-24UNF-2A	62006000800	STEEL

LIST OF MATERIAL

UNLESS OTHERWISE SPECIFIED DIMENSIONS ARE IN INCHES TOLERANCES:

FRACTIONS ±
DECIMALS ± .03
ANGLES ±

REMOVE ALL BURRS AND SHARP EDGES
DO NOT SCALE THIS DRAWING

BY	NAME	DATE	FINISH:
PREPARED			
CHECKED			
DESIGNED			
APPROVED			

PROPRIETARY
This document is loaned in strict confidence for your information only. It is not to be reproduced, stored in a retrieval system, or transmitted in any form or by any means, without the written consent of Newport Scientific Inc.

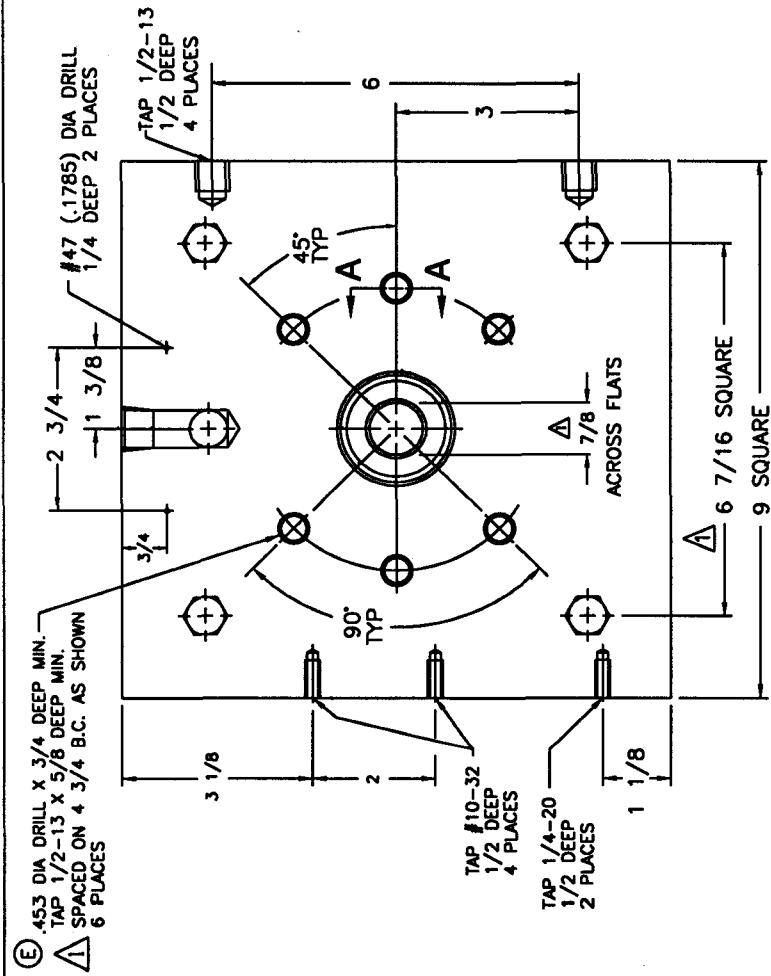


ASSEMBLY RELIEF VALVE FOR LIQUID SERVICE
TITLE

CODE IDENT. NO.	D
SIZE	D
PART NO.	62006001200
DRAWING NO.	1262006

SCALE 2=1
WEIGHT
SHEET 1 OF 1

SEE CHART



NOTES:

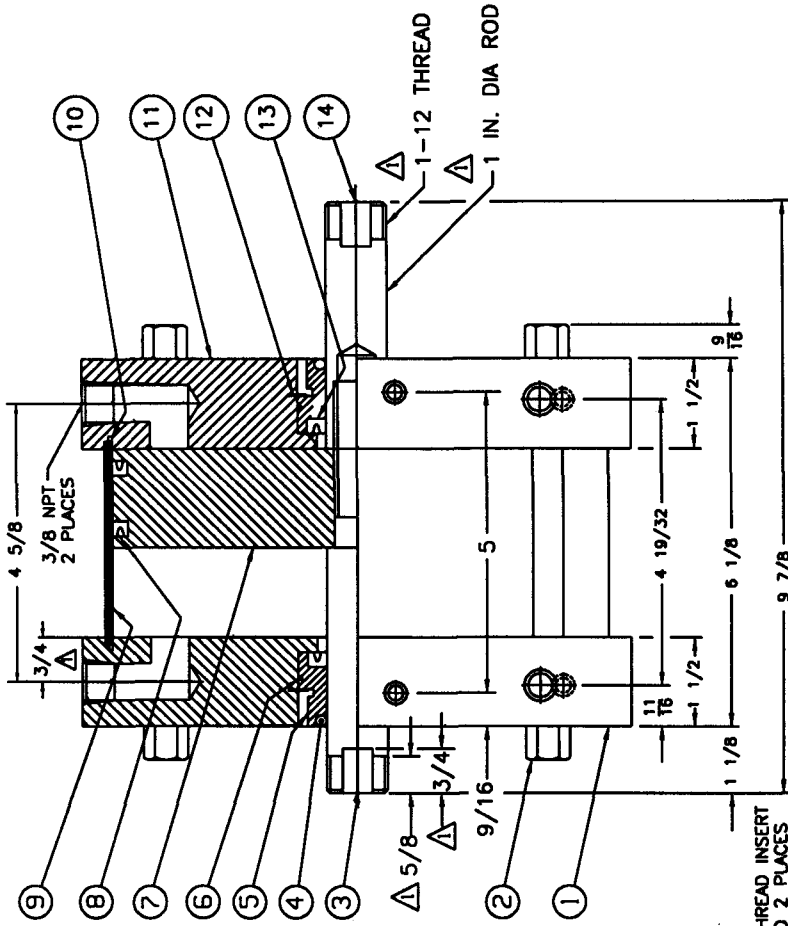
- 1 TYPICAL BOTH ENDS.
- 2 TUBING IS HARD ANODIZED ALUMINUM.
- 3. PISTON AND ROD SEALS ARE 'BUNA-N'.
- 4. ROD BUSHINGS ARE ELASTUF A2.
- 5. PISTON RODS ARE 17-4 PH STEEL.
- 6. KEYLOCK THREAD INSERTS ARE TO BE INSTALLED BY NSI.

+ .000
- .005 CLEARANCE
ALLOWANCE



WITH KEYLOCK THREAD INSERTS
INSTALLED

SECTION A-A



REVISIONS	BY	DATE	FINISH:
A REDRAWN PER ECO 18695 1/23/87			
B 9/16 WAS 1/4, 11/16 WAS 7/16 7/31/87			
C 1 3/8 WAS 1 3/4 6/1/88			
D ADD MATERIAL LIST 10/16/89			
E CHANGED FROM ROSAN INSERT TO KEYLOCK THREAD INSERT 9/10/01			

UNLESS OTHERWISE SPECIFIED
DIMENSIONS ARE IN INCHES
TOLERANCES:

FRACTIONS ±
DECIMALS ±
ANGLES ALL BUMPS AND SHARP EDGES
DO NOT SCALE THIS DRAWING

NAME	DATE	FINISH:
PREPARED		
CHECKED		
ENG/DRSK		
APPROVED		
MATERIAL		

PROPRIETARY
This document is issued in strict
confidence on condition that it is not
copied, reprinted, or disclosed to a
third party, wholly or in part, without
written consent of Newport Scientific Inc.

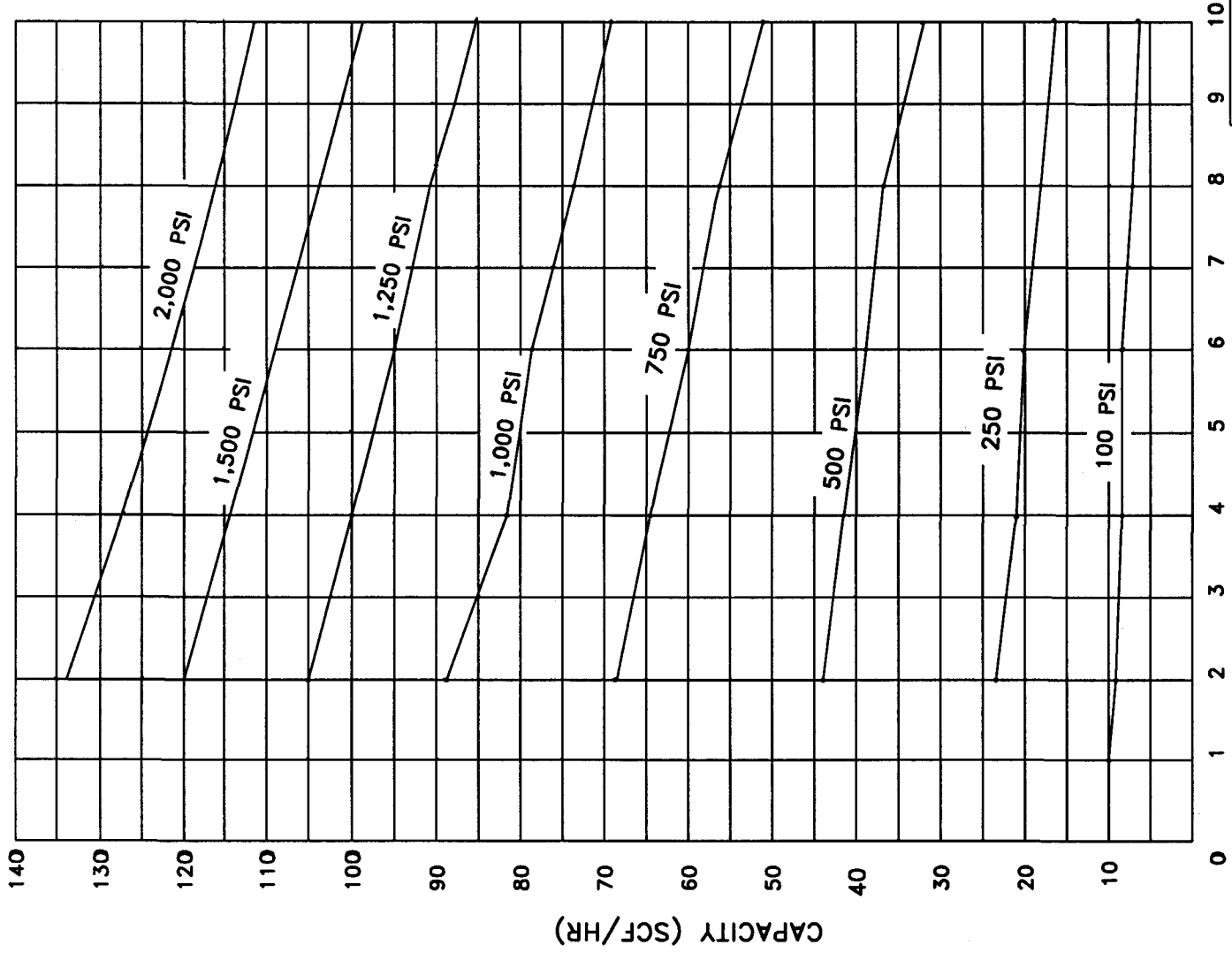
**NEPPORT
SCIENTIFIC
INC.**
SUPERPRESSURE

ITEM	QTY	DESCRIPTION	DWG/PART NO.	LIST OF MATERIAL
15	12	KEYLOCK THREAD INSERT	P1811002000	
14	1	ROD, RIGHT SIDE	77053003800	
13	2	SEAL, ROD (S-67-16)	P1825003100	
12	2	RETAINER RING	P1620021100	
11	1	HEAD, RIGHT SIDE	77053003200	
10	2	SEAL, CYLINDER (S-39-16)	P1825002900	
9	1	CYLINDER	77053003400	
8	2	SEAL, PISTON (S-55-16)	P1825002800	
7	1	PISTON	77053003500	
6	2	RETAINER O-RING (S-69-16)	P1825002700	
5	2	RETAINER	77053003700	
4	2	ROD WIPER (S-68-16)	P1825002600	
3	1	ROD, LEFT SIDE	77053003600	
2	4	STUD WITH NUTS	77053003900	
1	1	HEAD, LEFT SIDE	77053003300	

TITLE
DOUBLE ENDED PNEUMATIC
DRIVE UNIT, 8 IN. BORE

CODE IDENT. NO.
59505 D
SCALE NONE
WEIGHT
SHEET 1 OF 1

PART NO. 77053000900
DRAWING NO. 977053



DISCHARGE PRESSURE (X 1000 PSI)

TEST DATA GAS: NITROGEN
 TEMPERATURE : 70°F
 OIL : SAE20
 AIR DRIVE PRESSURE : 90 PSI
 PRESSURE : NOMINAL

UNLESS OTHERWISE SPECIFIED DIMENSIONS ARE IN INCHES

FRACTIONS ±
 DECIMALS ± XX ±.002 XXX ±.010
 ANGLES ± 1°

REMOVE ALL BURRS AND SHARP EDGES

DO NOT SCALE THIS DRAWING

BY	NAME	DATE	FINISH:
PREPARED			
CHECKED	P. ZEC	9-16-06	
ENGR/DSGR			
APPROVED			

MATERIAL

SCALE

WEIGHT

SHEET OF

PROPRIETARY
 This document is issued in strict confidence on condition that it is not copied, reprinted, or disclosed to a third party, wholly or in part, without written consent of Newport Scientific Inc.

NEUPORT SCIENTIFIC INC.

CURVE FOR 2 STAGE 6 & 10K PSI AIR OPERATED # 46-14023

CODE IDENT. NO. 59505
 SIZE C

PART NO. CURVE 6 & 10K AIR
 DRAWING NO. CURV610AIR

APPLICATION	USED ON
NEXT ASSY	